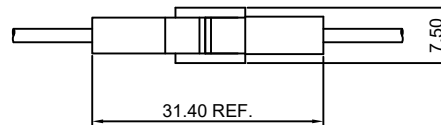
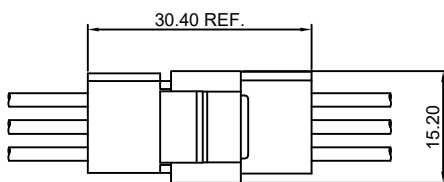


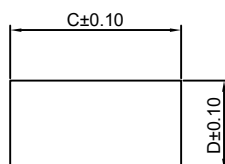
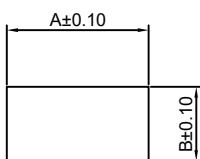
Specifications

- Current rating: 5A AC, DC
- Voltage rating: 250V AC, DC
- Temperature range: -25°C ~ +85°C
- Contact resistance: 10mΩ Max.
- Insulation resistance: 1000MΩ Min.
- Withstanding voltage: 1500V AC/minute
- *Compliant with RoHS and REACH*
- *Meet the HF/Halogen Free, GWT/Glow wire Test (IEC60335-1) request, need to customize*
- *Contact HDGC for details*

Assembly layout



Panel hole layout



PART NO.	Dimensions	
	A	B
HDGC3681HFB-2P	12.83	6.73
HDGC3681HFB-3P	16.51	6.73
HDGC3681HFB-4P	19.94	6.60
HDGC3681HFB-2x2P	12.85	10.16
HDGC3681HFB-2x3P	12.83	14.02
HDGC3681HFB-3x3P	16.51	14.02
HDGC3681HFB-3x4P	20.19	14.30
HDGC3681HFB-3x5P	23.62	14.45

PART NO.	Dimensions	
	C	D
HDGC3681HMB-2P	15.47	8.08
HDGC3681HMB-3P	19.15	8.08
HDGC3681HMB-4P	21.97	7.92
HDGC3681HMB-2x2P	15.62	11.81
HDGC3681HMB-2x3P	15.42	15.62
HDGC3681HMB-3x3P	19.10	15.62
HDGC3681HMB-3x4P	22.94	15.60
HDGC3681HMB-3x5P	26.21	15.75

Unit:mm



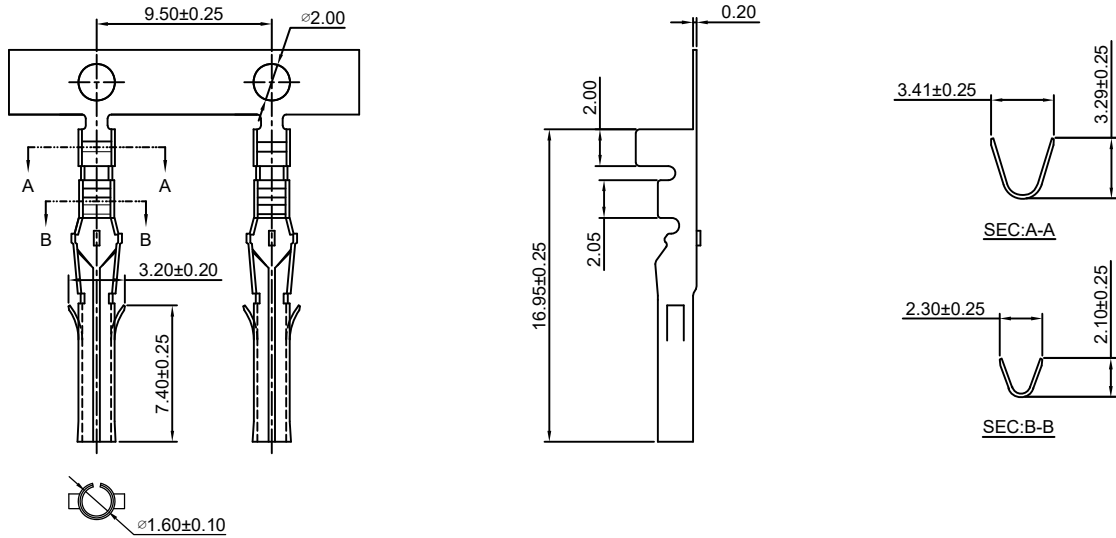
HDGC3681 Series 3.68mm (.145") Pitch Wire to Wire Connector

HDGC3681F-T

3.68mm pitch Crimp Terminal

Reference Informations:

*Used in HDGC3681HFB, HDGC3681HFC series Housing



Ordering information & Specifications:

Unit:mm

Part NO.	Wire Range	Insulation O.D.	Material	Finish	Qty/reel
HDGC3681F-TB	AWG#20-#24	1.85mm(max)	Brass	Tin over Nickel	8,000 PCS
HDGC3681F-TP	AWG#20-#24	1.85mm(max)	Phosphor Bronze	Tin over Nickel	8,000 PCS
HDGC3681F-GB	AWG#20-#24	1.85mm(max)	Brass	Gold over Nickel	8,000 PCS
HDGC3681F-GP	AWG#20-#24	1.85mm(max)	Phosphor Bronze	Gold over Nickel	8,000 PCS

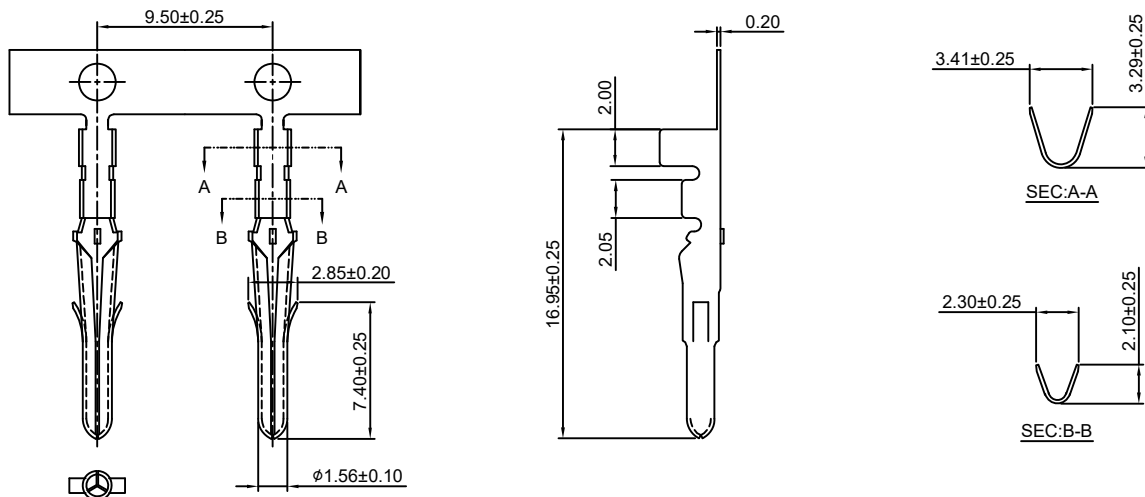
Optional Gold plating available but MOQ requested

HDGC3681M-T

3.68mm pitch Crimp Terminal

Reference Informations:

*Used in HDGC3681HMB, HDGC3681HMC series Housing



Ordering information & Specifications:

Unit:mm

Part NO.	Wire Range	Insulation O.D.	Material	Finish	Qty/reel
HDGC3681M-TB	AWG#20-#24	1.85mm(max)	Brass	Tin over Nickel	8,000 PCS
HDGC3681M-TP	AWG#20-#24	1.85mm(max)	Phosphor Bronze	Tin over Nickel	8,000 PCS
HDGC3681M-GB	AWG#20-#24	1.85mm(max)	Brass	Gold over Nickel	8,000 PCS
HDGC3681M-GP	AWG#20-#24	1.85mm(max)	Phosphor Bronze	Gold over Nickel	8,000 PCS

Optional Gold plating available but MOQ requested



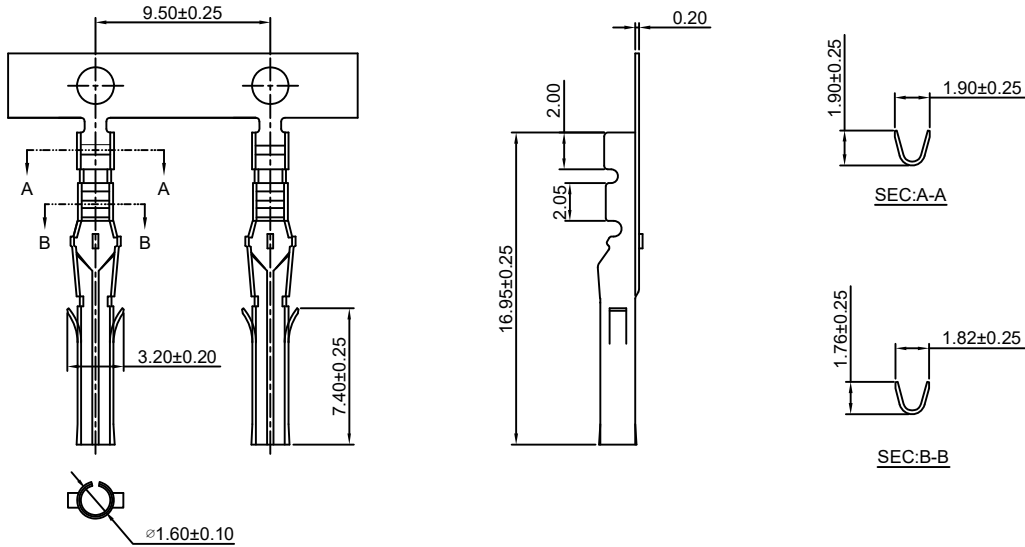
HDGC3681 Series 3.68mm (.145") Pitch Wire to Wire Connector

HDGC3681F-T-L

3.68mm pitch Crimp Terminal

Reference Informations:

*Used in HDGC3681HFB, HDGC3681HFC series Housing



Ordering information & Specifications:

Unit:mm

Part NO.	Wire Range	Insulation O.D.	Material	Finish	Qty/reel
HDGC3681F-TB-L	AWG#24-#30	1.57mm(max)	Brass	Tin over Nickel	8,000 PCS
HDGC3681F-TP-L	AWG#24-#30	1.57mm(max)	Phosphor Bronze	Tin over Nickel	8,000 PCS
HDGC3681F-GB-L	AWG#24-#30	1.57mm(max)	Brass	Gold over Nickel	8,000 PCS
HDGC3681F-GP-L	AWG#24-#30	1.57mm(max)	Phosphor Bronze	Gold over Nickel	8,000 PCS

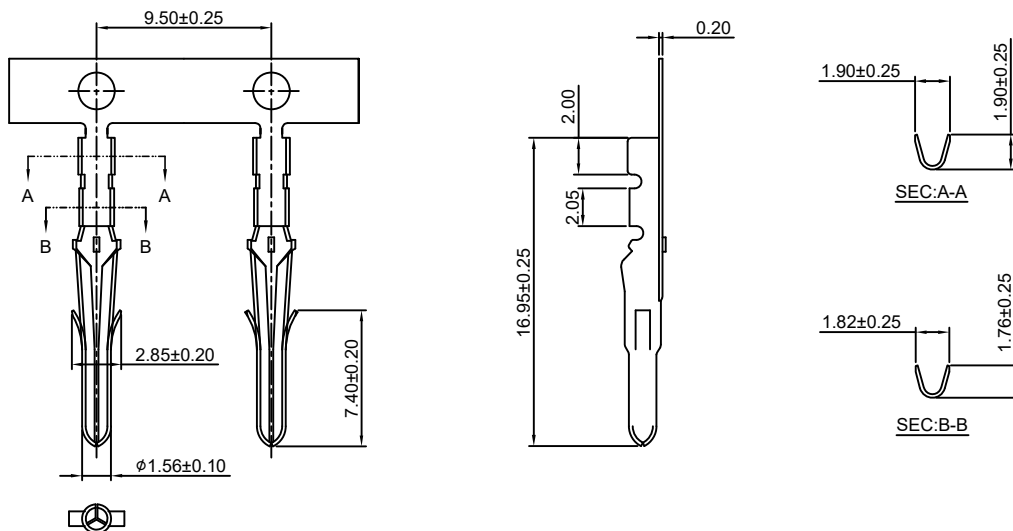
Optional Gold plating available but MOQ requested

HDGC3681M-T-L

3.68mm pitch Crimp Terminal

Reference Informations:

*Used in HDGC3681HMB, HDGC3681HMC series Housing



Ordering information & Specifications:

Unit:mm

Part NO.	Wire Range	Insulation O.D.	Material	Finish	Qty/reel
HDGC3681M-TB-L	AWG#24-#30	1.57mm(max)	Brass	Tin over Nickel	8,000 PCS
HDGC3681M-TP-L	AWG#24-#30	1.57mm(max)	Phosphor Bronze	Tin over Nickel	8,000 PCS
HDGC3681M-GB-L	AWG#24-#30	1.57mm(max)	Brass	Gold over Nickel	8,000 PCS
HDGC3681M-GP-L	AWG#24-#30	1.57mm(max)	Phosphor Bronze	Gold over Nickel	8,000 PCS

Optional Gold plating available but MOQ requested



HDGC3681 Series 3.68mm (.145") Pitch Wire to Wire Connector

HDGC3681H

3.68mm Pitch Housing

Reference Informations:

- *Material:Nylon 66,UL94V-2
- *HDGC3681HMB(Suitable Terminal:HDGC3681M-T(-L))
- *HDGC3681HFB(Suitable Terminal:HDGC3681F-T(-L))
- *Color:Natural

Ordering Information:

HDGC3681HMB-XP - ***
1 2

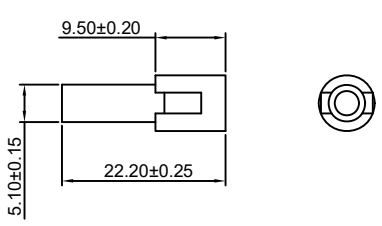
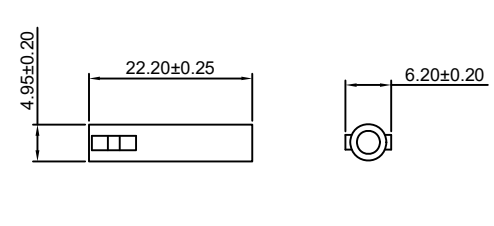
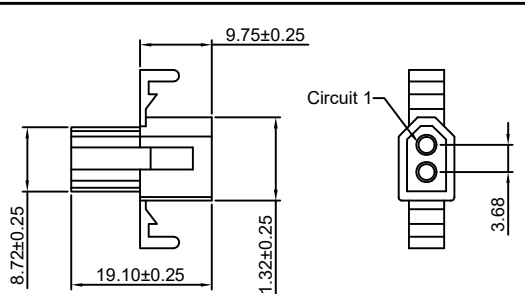
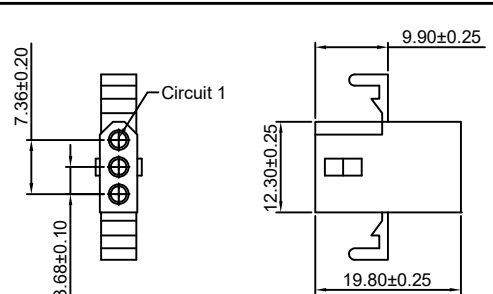
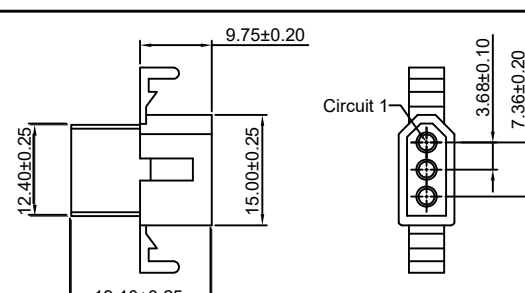
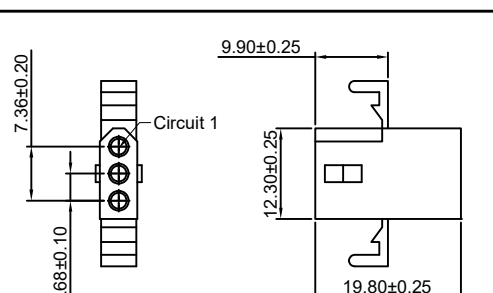
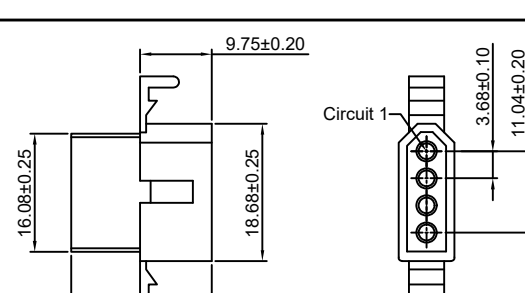
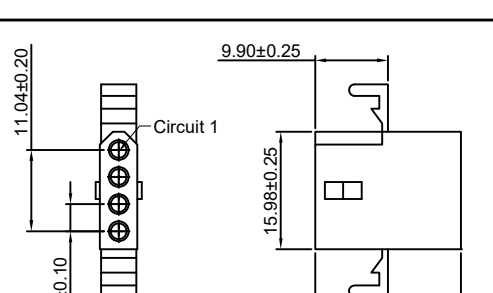
- 1.Part No.
- 2.Material:
(blank):Nylon 66,UL94V-2/Natural
V0:Nylon 66,UL94V-0/White
GWT:Nylon 66,UL94V-0,GWT 750°C

Ordering Information:

HDGC3681HFB-XP - ***
1 2

- 1.Part No.
- 2.Material:
(blank):Nylon 66,UL94V-2/Natural
V0:Nylon 66,UL94V-0/White
GWT:Nylon 66,UL94V-0,GWT 750°C

Unit: mm

HDGC3681HMB	HDGC3681HFB
 <p>HDGC3681HM-1P</p>	 <p>HDGC3681HF-1P</p>
 <p>HDGC3681HMB-2P</p>	 <p>HDGC3681HFB-2P</p>
 <p>HDGC3681HMB-3P</p>	 <p>HDGC3681HFB-3P</p>
 <p>HDGC3681HMB-4P</p>	 <p>HDGC3681HFB-4P</p>



HDGC3681 Series 3.68mm (.145") Pitch Wire to Wire Connector

HDGC3681H

3.68mm Pitch Housing

Reference Informations:

*Material: Nylon 66, UL94V-2

*HDGC3681HMB(Suitable Terminal: HDGC3681M-T(-L))

*HDGC3681HFB(Suitable Terminal: HDGC3681F-T(-L))

*Color: Natural

Ordering Information:

HDGC3681HMB-2xXP - ***
1 2

1.Part No.

2.Material:

(blank): Nylon 66, UL94V-2/Natural

V0: Nylon 66, UL94V-0/White

GWT: Nylon 66, UL94V-0, GWT 750°C

Ordering Information:

HDGC3681HFB-2xXP - ***
1 2

1.Part No.

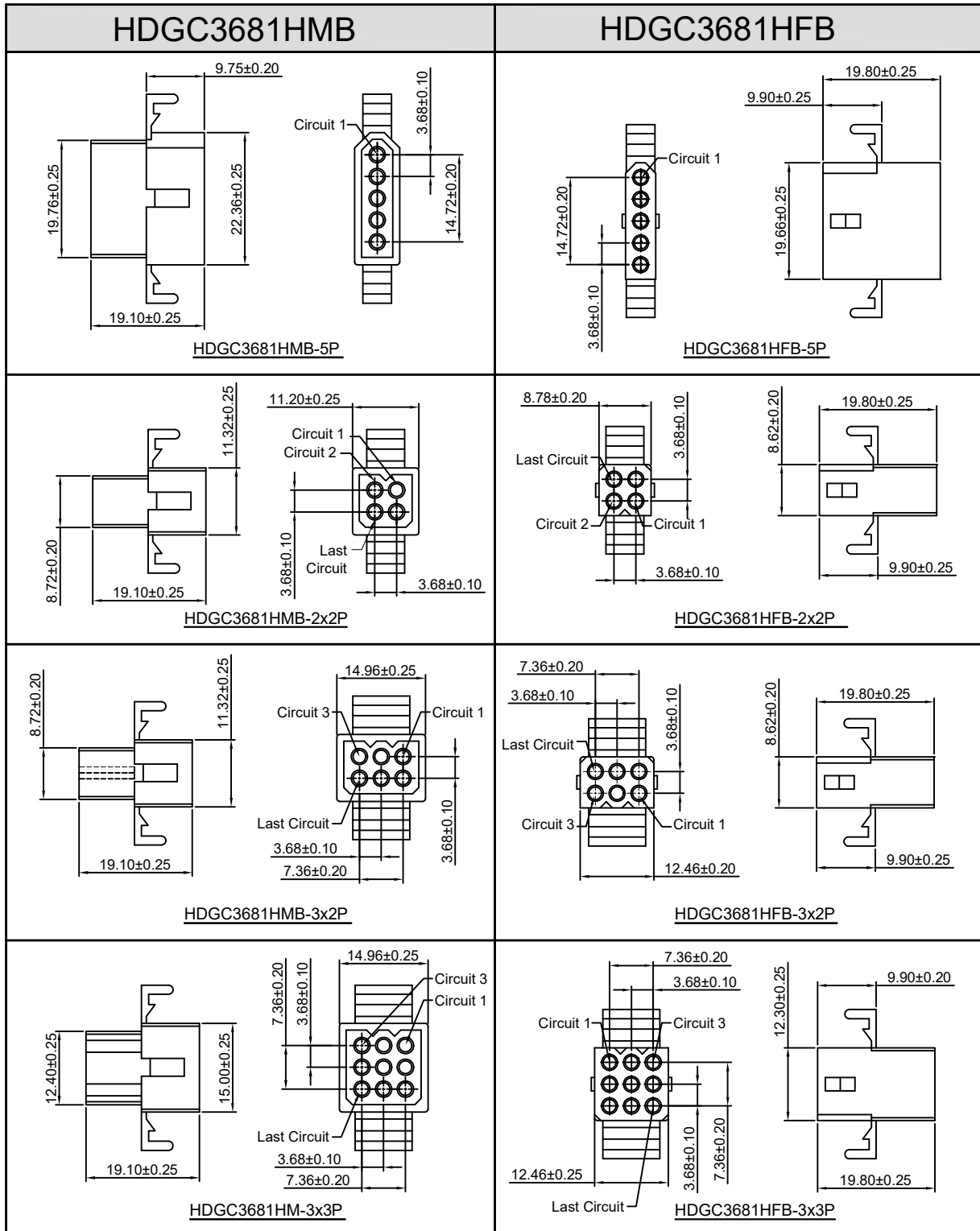
2.Material:

(blank): Nylon 66, UL94V-2/Natural

V0: Nylon 66, UL94V-0/White

GWT: Nylon 66, UL94V-0, GWT 750°C

Unit: mm





HDGC3681 Series 3.68mm (.145") Pitch Wire to Wire Connector

HDGC3681H

3.68mm Pitch Housing

Reference Informations:

*Material:Nylon 66,UL94V-2

*HDGC3681HMB(Suitable Terminal:HDGC3681M-T(-L))

*HDGC3681HFB(Suitable Terminal:HDGC3681F-T(-L))

*Color:Natural

Ordering Information:
HDGC3681HMB-3xXP - ***
1 2

1.Part No.
2.Material:
(blank):Nylon 66,UL94V-2/Natural
V0:Nylon 66,UL94V-0/White
GWT:Nylon 66,UL94V-0,GWT 750°C

Ordering Information:
HDGC3681HFB-3xXP - ***
1 2

1.Part No.
2.Material:
(blank):Nylon 66,UL94V-2/Natural
V0:Nylon 66,UL94V-0/White
GWT:Nylon 66,UL94V-0,GWT 750°C

Unit: mm

